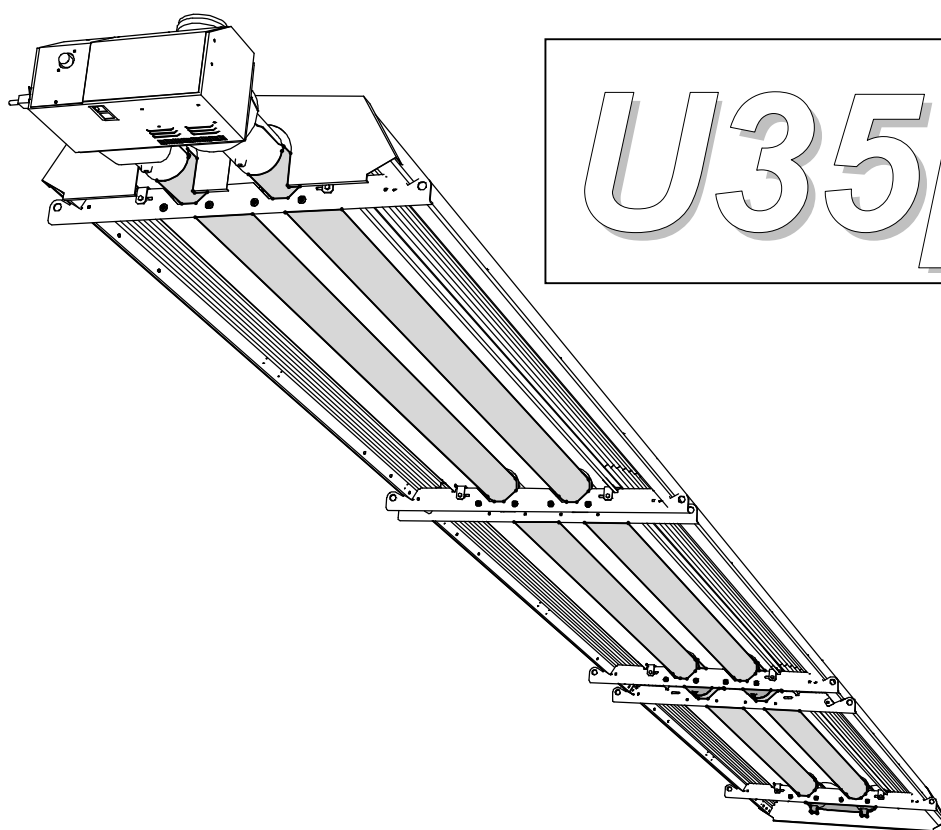


HYPERTUBE *U35plus* EU



TECHNICAL INSTRUCTIONS INSTALLER USER

N° 05000697/ 1



U35plus

Warning

Please read this document carefully before starting the installation.

The document accompanying each unit is meant for the installer and the user. **Leave it at the end-user after installation.** This document contains instructions for installing the heater and flue system and describes in particular how to carry out gas connection & electrical connection. Subcontractors must also receive this document.

Manufacturer:

**SBM
3 cottages de la Norges
21490 CLENAY
FRANCE**



INDEX

1	RULES	P 3
2	TECHNICAL SPECIFICATIONS	P 4
3	DIMENSIONS	P 5
4	APPLIANCE ASSEMBLY	P 6
	a/ Packaging	
	b/ Reflector/convector assembly	
	c/ Preparation of tubes	
	d/ The assembling of radiant tubes, reflector, convector	
5	HANGING AND FIXING THE UNIT	P 11
6	SAFETY CLEARANCES	P 13
	a/ Distances to unprotected combustible materials	
	b/ Minimum recommended mounting height	
7	EVACUATION OF COMBUSTION PRODUCTS	P 14
	Type A	
	Type B	
	Type C	
8	INSTALLATION METHOD & CONNECTIONS	P 18
	a/ Electrical connection	
	b/ Flue system	
	c/ Gas connections	
	d/ 'Failure signal transmission' option	
9	TEMPERATURE REGULATION	P 19
10	PROGRAMMING	P 20
11	SETTING UP	P 20
12	MAINTENANCE	P 20
13	GAS CHANGE	P 22
14	FAULTS – POSSIBLE CAUSES - SOLUTIONS	P 23
15	ELECTRICAL DIAGRAM	P 24
16	OPTIONS ON REQUEST	P 25
17	SPARES PARTS	P 25

1 Rules

GENERAL WARNING

- The installation will have to be in compliance with the norms in force and be carried out according to traditional rules by a skilled worker.
- The installer will have to refer to the various existing official documents according to the different stages that the installation will require (see enclosure 1 at the end of this document).
- The radiant tubes are CE certified and approved for use in many countries. In order to meet the national requirements only appropriate models should be used (in case of doubt, please contact us). The guarantee of conformity to regulations and standards does not apply to units designed for the French market but installed in foreign countries.
- The hotpoint of the heater amounts to more than 150°C. Please follow the directives of the competent authorities and respect the rules in force related to classified buildings or risky sites.
- The use is also prohibited in all the premises where there are corrosive fumes, even if there are small quantities of them, whose combination with water vapor and/or combustion products will entail abnormal deteriorations of the appliances. For example: chlorinated, sulphurous, ammonia or sodium products and diverse acid products
- All the requirements of the present regulation concerning ventilation and purifying shall be respected.

GUARANTEE LIMITS

Warranty is void if following instructions are not respected:

- The heaters are only designed for use in non-domestic applications with exclusion of any other utilization.
- Heaters must be installed inside the room, protected against humidity and bad weather conditions.
- Heaters must not be installed in atmospheres containing aggressive or corrosive vapors, even in small concentrations as the combination with combustion products can deteriorate the material (e.g. : chloride, sulphurous, ammonium, sodium and all kind of acid products)
- Storage of heater must be done carefully avoiding shocks and ensuring that heater is protected against bad weather conditions.
- The installation must be in accordance with these instructions
- Modification to this appliance is not authorized

2 Spécifications techniques

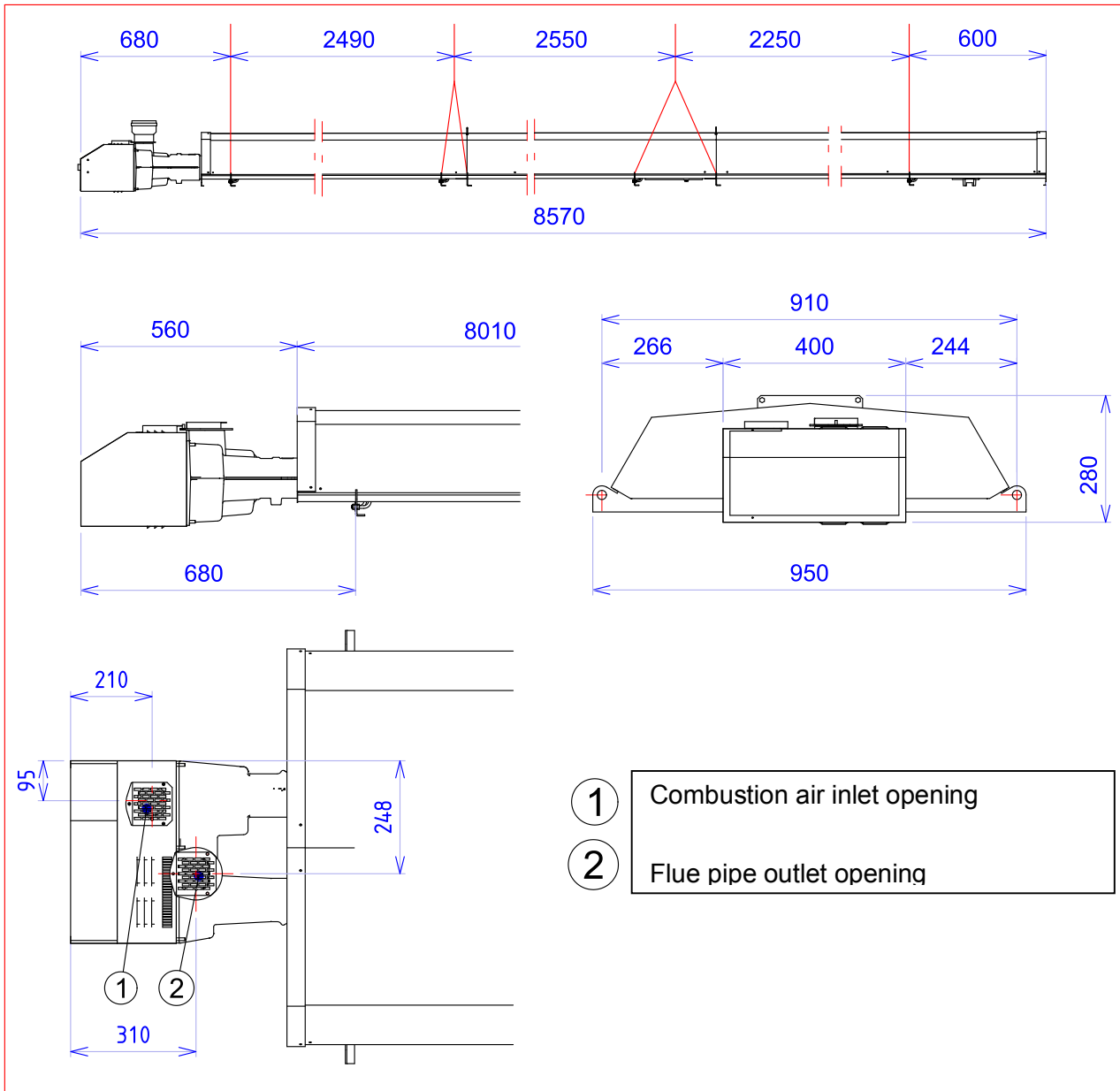
	Selon normes CE	Unités	HYPERTUBE U35plus
Nominal heat input		kW Hi	35
Combustion efficiency	>85	% Hi	90
Radiation factor		-	0,71
Seasonal efficiency	>74%	%	>85%
NOx class	>1	-	4
Electrical connection		-	230/240V 50Hz
Fuse protection		-	1 fuse 5A
Starting electrical power		VA	120
Functioning electrical power		VA	70
Combustion air & venting		-	A2, B22, C12, C32
Fresh air diaphragm type A and B		mm	Ø49
Fresh air diaphragm type C		mm	Ø46
Exhaust gases diaphragm		mm	Ø65
Air pressure switch adjustment		Pa	69
Turbine discharge		mm	Ø133
Weight		kg	246

Adjustments in function of gas

Distributed gas		2H, 2E	3P	3B/P
Country		NO/PL/SE	PL	NO/SE
Reference gas		G20	G31	G30/31
Heat input (Hi) of gas reference		34,02 MJ/m ³	46,34 MJ/kg	45,65 MJ/kg
Nom. Inlet pressure mbar		20	37	30
Min. inlet pressure min mbar		17	25	20
Max. inlet pressure max mbar		25	45	35
U35plus	Ø injector mm x 100	530	310	310
	Pressure by injector mbar	8,0	BR*	BR*
	Gas flow 15°C 1013mbar	3,70 m ³ /h	2,72 kg/h	2,76 kg/h

* BR = blocked regulator (see page 22)

3 Dimensions



4 Appliance assembly

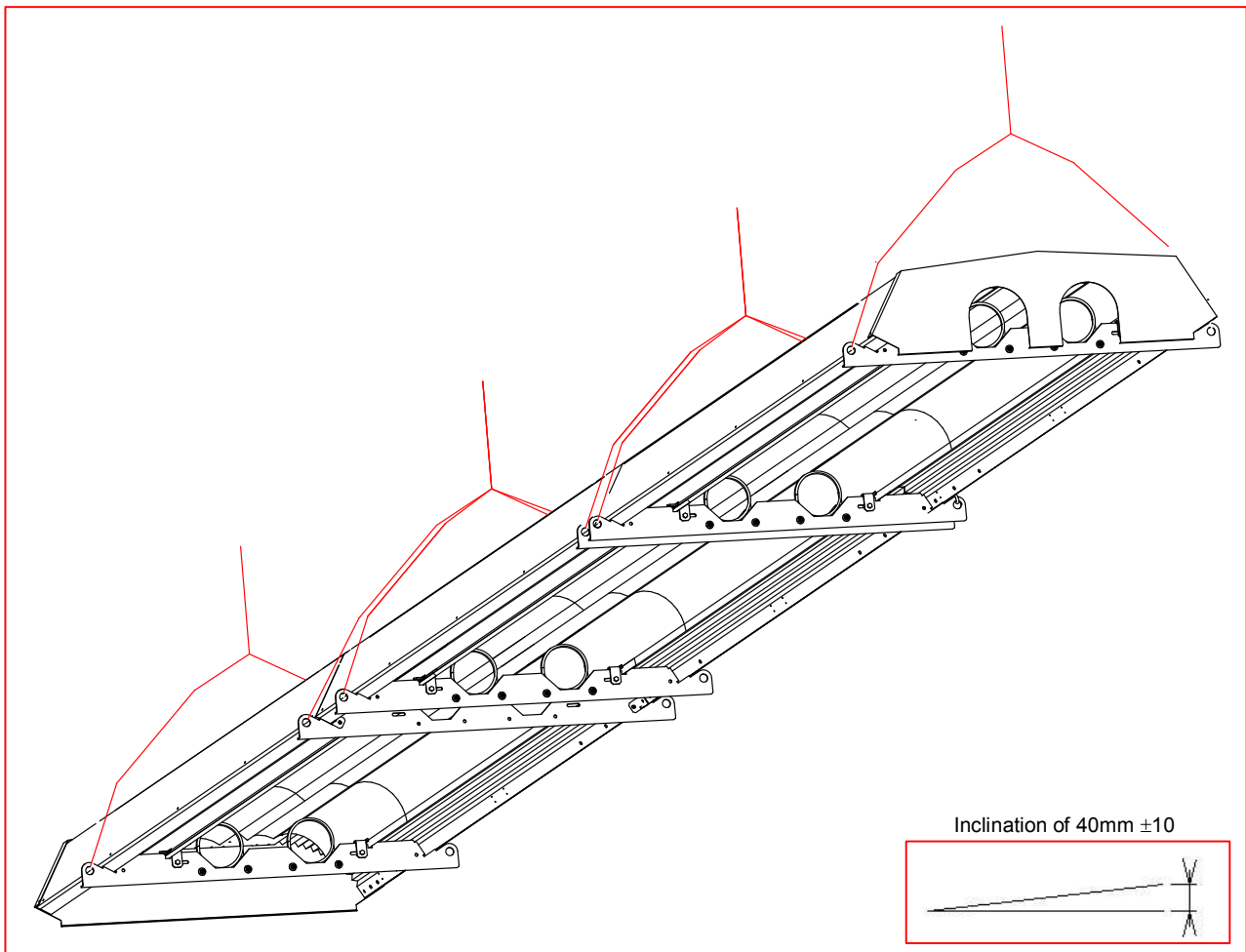
a/ Packaging

Quantity	Designation
1	Box containing burner
1	Box containing reflector/convecter U35plus "burner side"
1	Box containing reflector/convecter U35plus "central part"
1	Box containing reflector/convecter U35plus "ubend side"
2	Tubes Ø101.6 – lg : 5 200mm
2	Tubes Ø101.6 – lg : 2 515mm
2	Turbulator tube Ø101.6 – lg : 2,5m

b/ Reflector/convecter assembly

Provide for hanging points under the roof following the figure shown page 6.

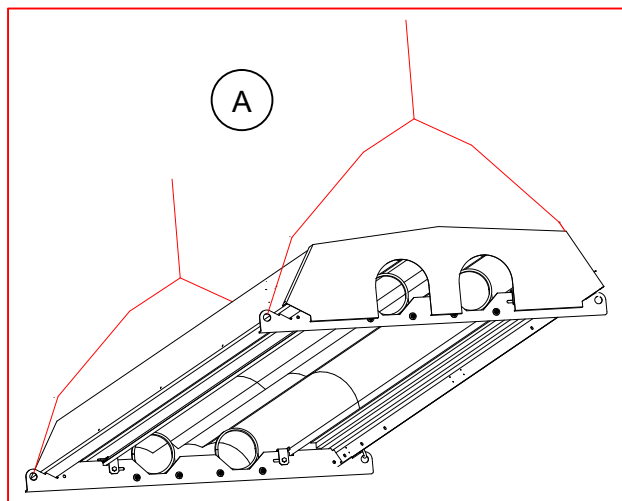
Each part could be inclined with $15\text{mm} \pm 3$ (U-bend is lower than the burner), the total incline should be $40\text{mm} \pm 10$.



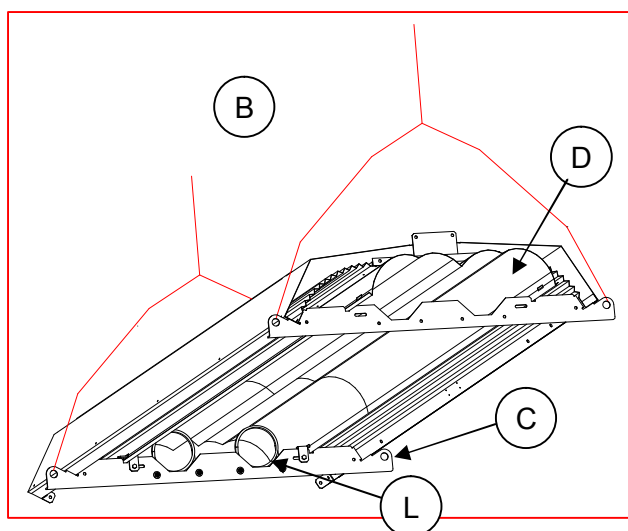
Reflectors and converters sets (quantity = 3).

Each set has to be hanged under the roof one by one and assembled with the previous one.

Suspend under the roof the converter burner side (A).



Suspend under the roof the converter central side (B).
The part (C) equipped with fixing rings (L) is positioned to the Ubend side.

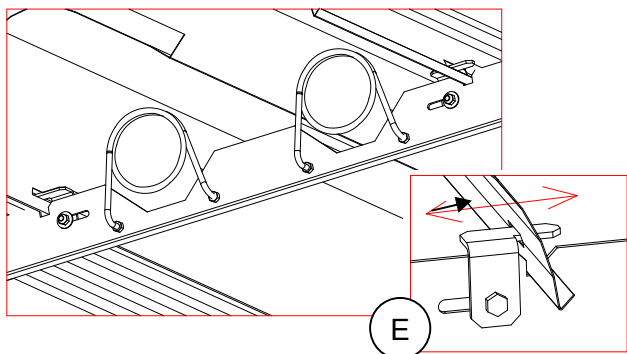


Reflectors (D) of each set have to be superimposed at the junction.

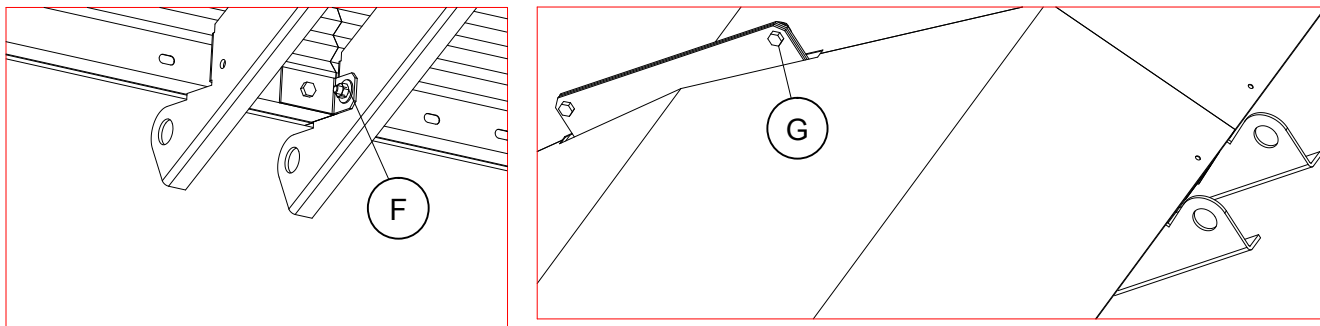
Put the fixing brackets of the reflectors (E) in open position.

Position the reflectors (D) in the grooves of the traverse.

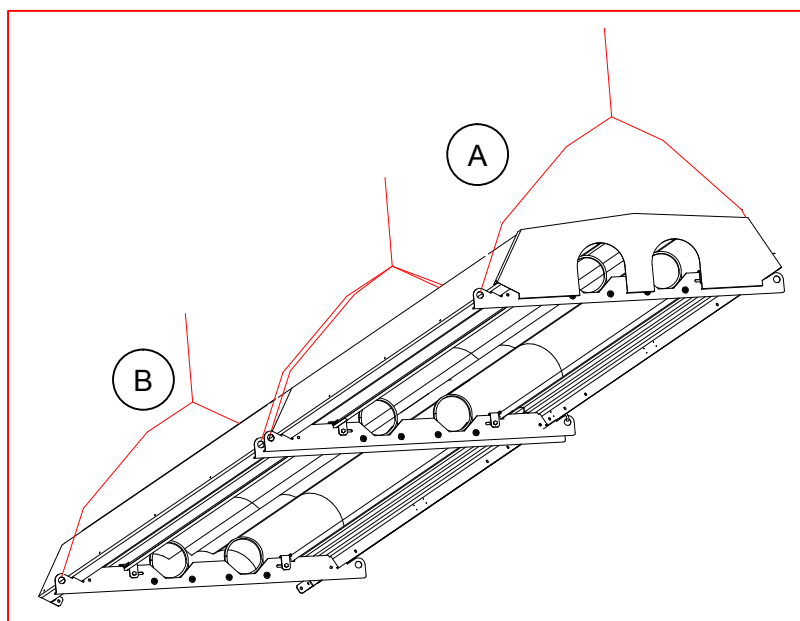
Put the fixation parts of the reflectors (E) in closed position and screw these parts in order to maintain the reflectors.



The assembly is made unmovable by 4 screws, 4 washers and 4 nuts (F and G).

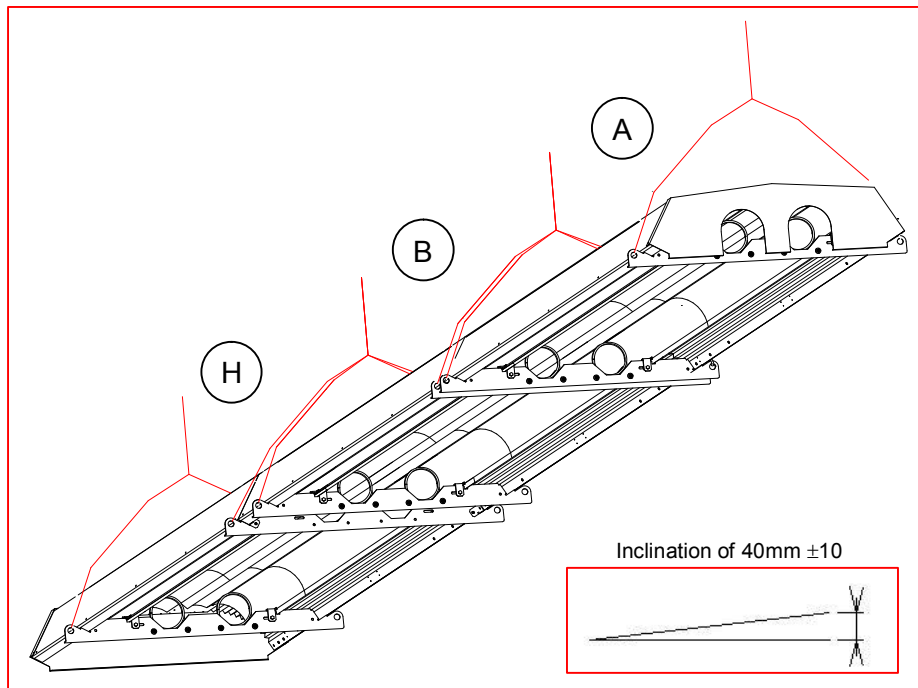


Hereunder, the 2 sets reflectors/converters (A and B) assembled.



Suspend under the roof the converter Ubend side (H).

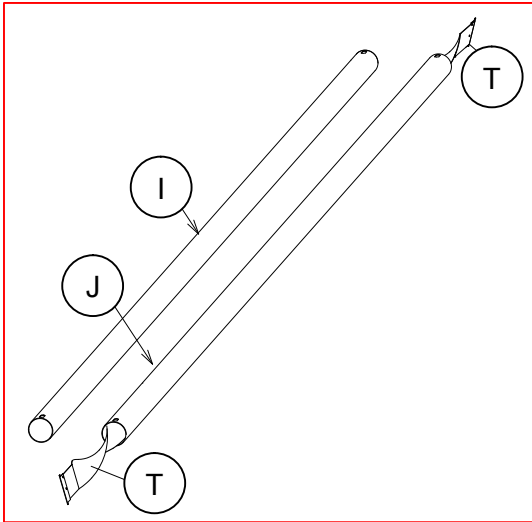
Follow the previous instruction for assembling this converter Ubend side (H) to the previous converters (A and B).



The total gradient of the heater must be 40 mm ±10 in the direction of the Ubend

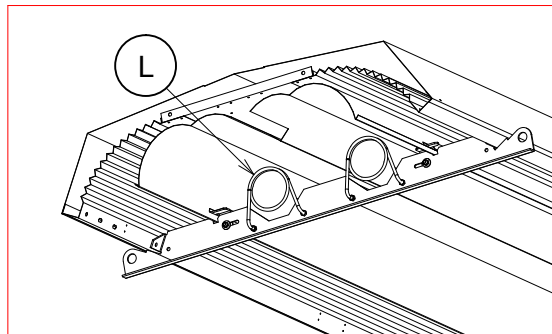
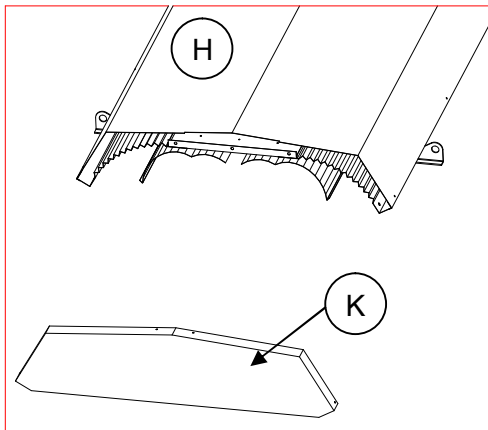
c/ Tube preparation

The 2 long tubes (I and J) are identical and fixable in both directions.
Extractor side, at each extremity of tube (J), put the 2 turbulators (T).



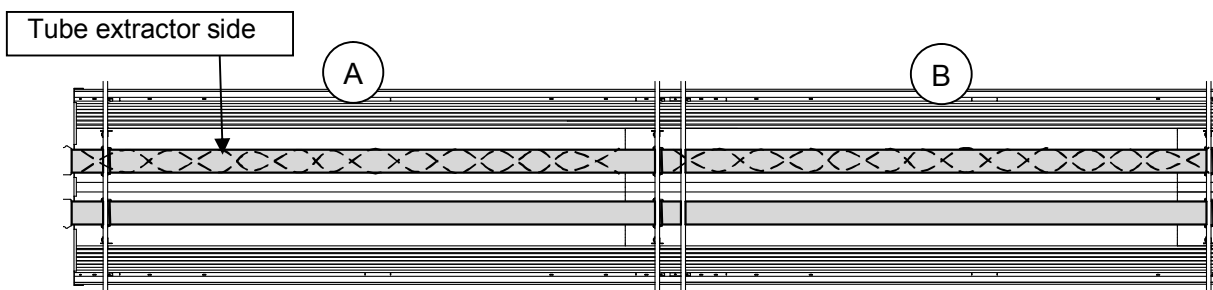
d/ Installation of the tubes :

Remove end cover of the converter (K) (U-bend side).



Slide the long tubes (I) from the burner side inside the fixing rings (L).

Attention, the tube extractor side is the one with 2 turbulators.

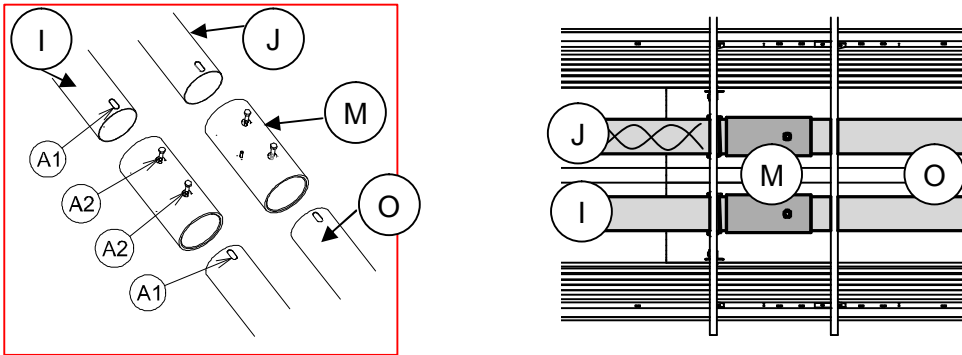


e/ Sleeves, Ubend and burner assembly.

Turn the long tubes (I and J) to have the oblong holes in lower position.

Put the sleeves (M) on the long tubes (J) and the short tubes (O).

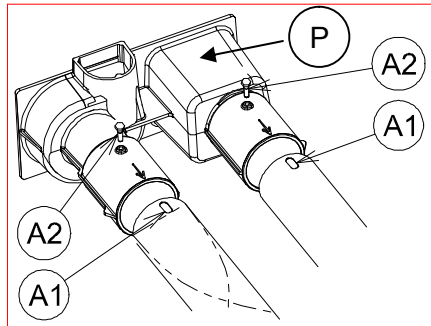
Make certain that the screw (A2) goes through the elongated hole (A1) in the tube ensuring so that the moving tubes will come to a standstill!!!



Turn the tubes on the previous position to have the oblong holes “burner side” and “Ubend side” in the top position.

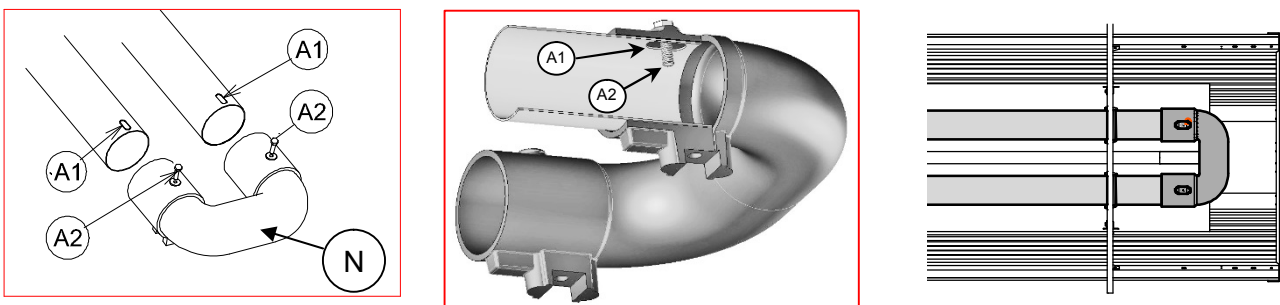
Install the burner block (P) on the tubes.

Make certain that the screw (A2) goes through the elongated hole (A1) in the tube ensuring so that the moving burner block will come to a standstill!!!

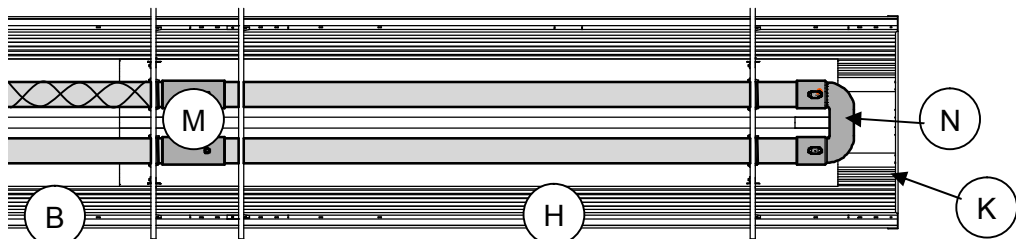


Put the screws (A2) on the Ubend (N), for easy assembly of the Ubend, move away the fixing brackets (E), and put the Ubend.

Make certain that the screw (A2) goes through the elongated hole (A1) in the tube ensuring so that the moving bend will come to a standstill!!! Do not forget to fix the fixing brackets (E).

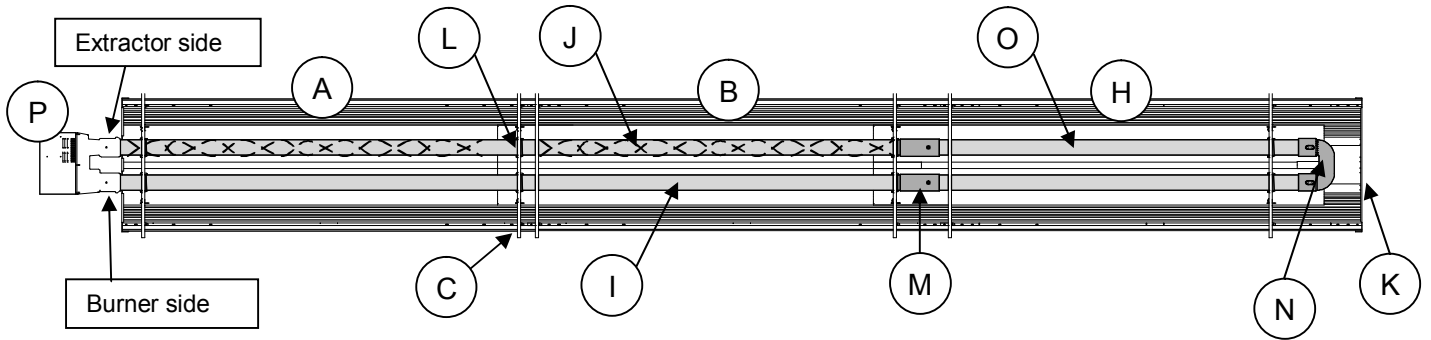


The sleeves (M) have to be between the bracket of the central converter (B) and the bracket of the Ubend converter (H).



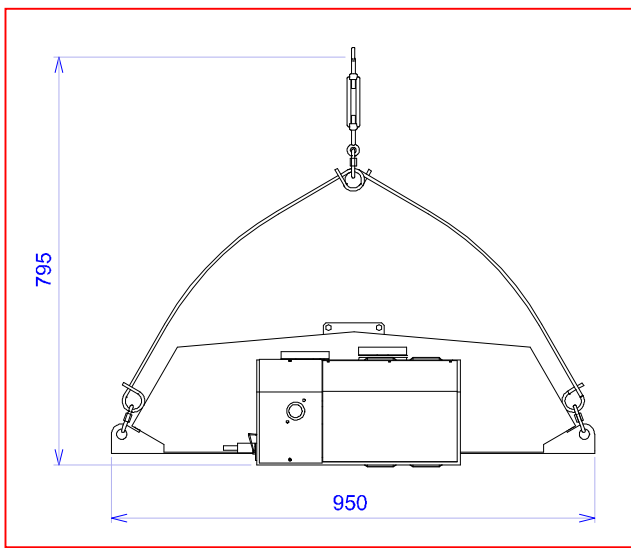
Replace the end cover (K) at pipe elbow side.

Bottom view, installed unit

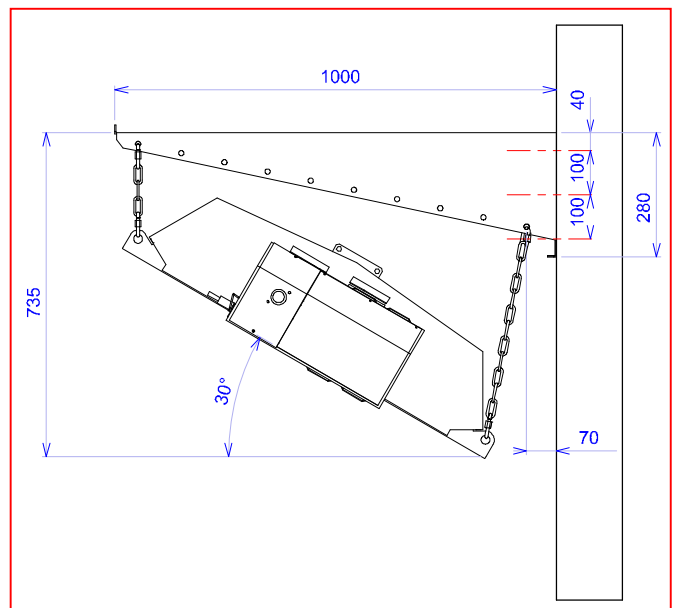


5-Suspension/Fixing

Suspend the radiant tubes by means of chains or cables of adequate length fixed to framework, under shores or portals, between pillars or against a wall. Optional fixing parts can be supplied.



HORIZONTAL HANGING



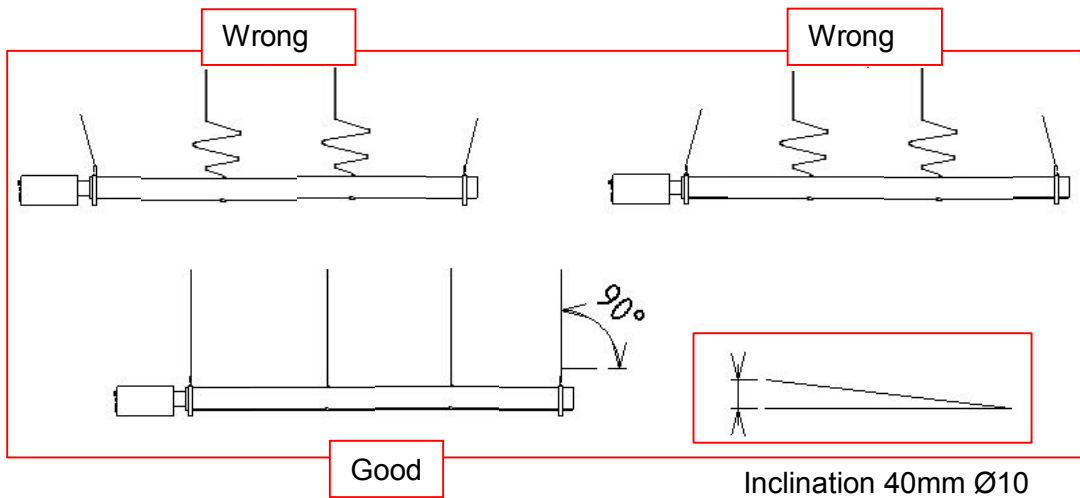
WALL HANGING

ATTENTION: For good system efficiency, do not incline the unit up to 30°!!

Model	Designation	Ref. SBM
Horizontal	HOR. HANG. U35plus	5720054
Wall	WALL HANG. U35plus	5720064

SAFETY INSTRUCTIONS

Care must be taken to install the anchor points perpendicular to the end supports.
The model **U35plus** contains 4 points of anchorage

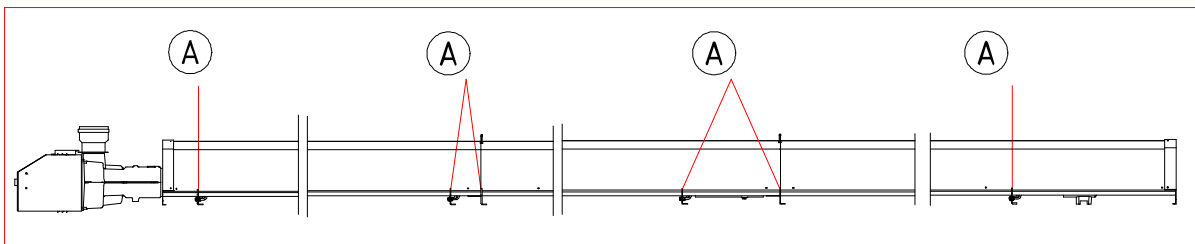


The total gradient of the heater must be 40 mm \pm 10 in the direction of the U bend

Very important:

Make use of a flexible suspension system enabling the expansion of the emitter tubes but avoiding extreme oscillations.

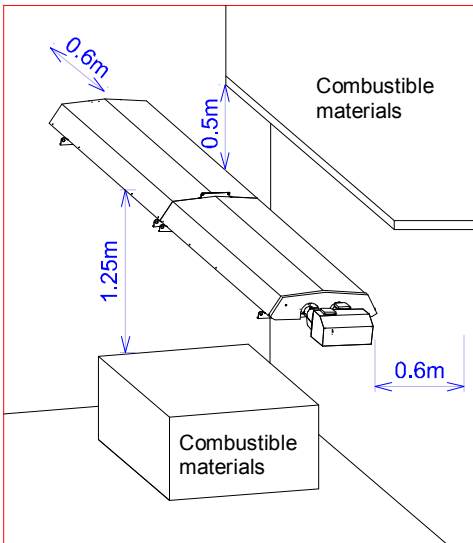
Wall supports **supplied on demand** take this instruction into account.



Mark	Designation
A	Required anchor points

6 Safety clearances

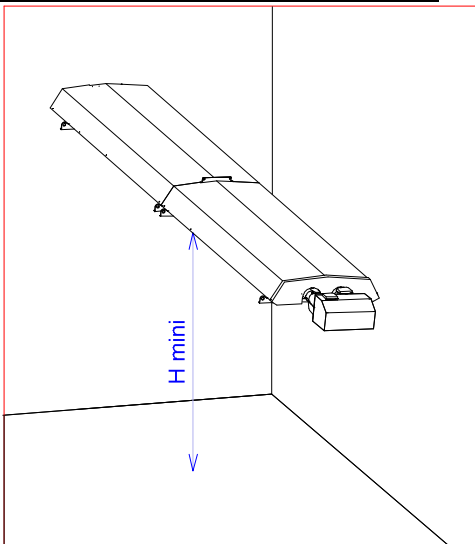
a/ Minimum distances towards unprotected combustible materials



Units must be installed so that the minimum clearances towards unprotected combustible materials are maintained. Furthermore, a thermal insulation is to be installed between the hanging support of the appliance and the material on which it is fixed, in case this material should be of a flammable nature.

WARNING: Refer to the rules in force.

b/ Recommended minimum height



The minimal recommended mounting height in relation to the ground and in the case of global heating of a closed building if:

Appliance	Horizontal hanging	Wall hanging
U35plus	5,50 m	4,60 m

Heights and mounting positions depend of the building structure and of the study implantation.

PARTICULAR CASES:

- 1) During the installation of an appliance above an overhead crane, provide if necessary the protection of the crab's motor and of electrical equipment by the means of an insulating sheet.
- 2) Avoid the installation of radiant tubes above bulky machines or stores which could prevent the diffusion of radiation towards the workers or users.
- 3) In the presence of lifting ramps (vehicle repair workshops) care should be taken not to fit the radiant tubes directly above these ramps. In fact, deterioration may occur to cars with bodies or covers which could stay on the high position of the ramp.
- 4) In the case of a workshop including pits or hidden zones, we cannot guarantee in these zones the same conditions of comfort as in the rest of premises.

7 Evacuation of combustion products

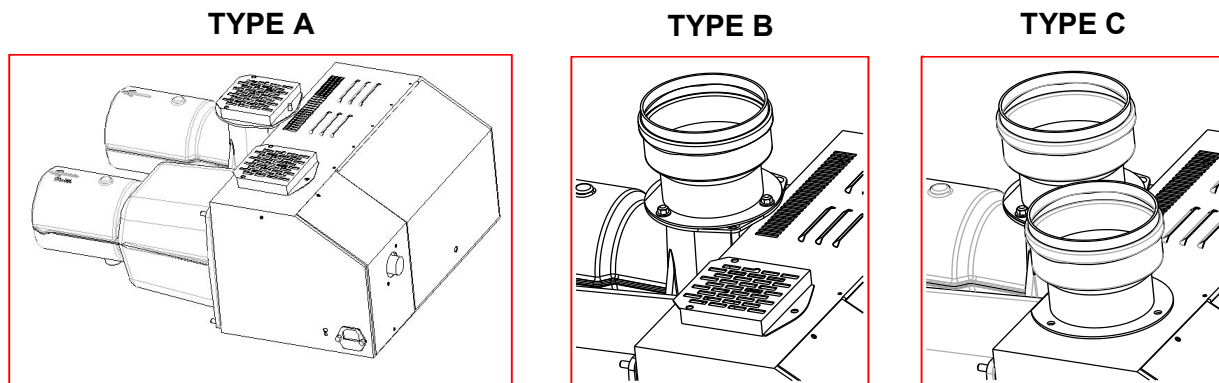
According to the type of building, to the insulation or to the air tightness of the building, there are 3 possible solutions:

Type A - Throwing out of the combustion products into the atmosphere.

Type B - Individual fluting of each unit outside the building.

Type C - Balanced flue system, combustive air and combustion products taken/thrown from/to the outside (by concentric air hole or separated pipes).

The following indications about the air renewal concern the good functioning of the appliances. Do not forget also to take into account the rules concerning people leaving in the heated premises.



TYPE A

THROWING OUT OF THE COMBUSTION PRODUCTS INTO THE ATMOSPHERE

SBM radiant tubes have a good combustion hygiene which has been controlled for the CE mark. However, they can only be installed and used **in well ventilated premises**.

In industrial facilities, radiant tubes **HYPERTUBE U35plus** can be installed without evacuation ducts for the combustion products within the limits of the regulations in force. In that case, no modification has to be brought to the units which are already equipped with a protection grille.

Attention: In public buildings, the evacuation of flue gases is obligatory!

* However we draw your attention to the fact that combustion products emitted into the atmosphere can perceptibly modify the humidity level depending on the air change rate of the building.

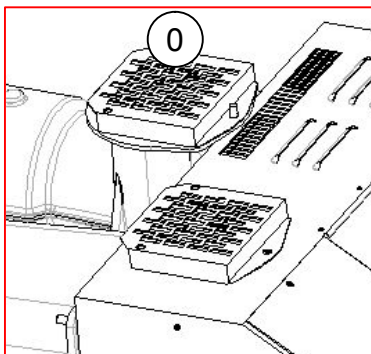
In case where the products of combustion are not evacuated outdoor, **ensure that the location where the unit is installed provides sufficient air to ensure a good functioning of the unit** and the dilution of the combustion products by **10 m³/h per kW installed**.

Do not allow combustion products to come into contact with combustible materials.

WARNING: refer to the rules in force.

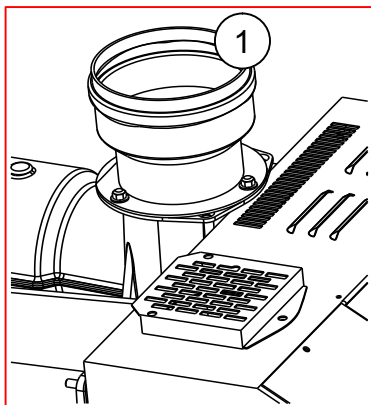
TYPE B

a / INDIVIDUAL FLUTING OF EACH UNIT OUTSIDE THE BUILDING



- Remove grill at exhaust pipe (0).
 - And replace with connection piece Ø100 (1) for Ø97 tube.
- FLUE CONNECTION DN100** (Ref SBM: 5720014)

- Do not use grill as protection for a flue pipe end.
- Air inlets must be sufficient in the premises in order to allow a good supply of the burner with air of combustion



Plan for an external air flow of at least 1.75 m³/h per installed kW.

SAFETY INSTRUCTIONS CONCERNING THE INDIVIDUAL EVACUATION DUCT:

- No reduction of diameter can be accepted after the connection piece.
- It must be made out of stainless steel or aluminum with **smooth** and **rigid** duct.
- The evacuation must be realized according to the norms in force in each concerned country.
- The **maximum** length of the exhaust pipe shall not be greater than **16 meters of straight length** (see on the spreadsheet hereunder).
- The duct must not include low point.
- Any accessory made out of plastic or PVC is absolutely prohibited.

	Air flow	Exhaust gases temperature	Exhaust gases volumic flow	Exhaust gases massic flow
U35plus	68 m ³ /h	176 °C	117 m ³ /h	88 kg/h

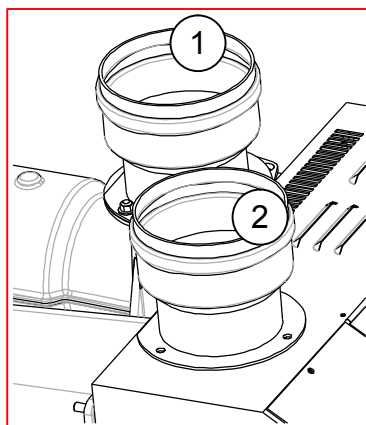
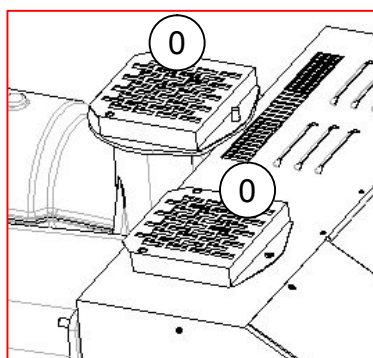
Singular pressure drop equivalent lengths:

Accessory	Equivalence straight length	Designation	Ref. SBM
Elbow 90°	2 meters	FLUE PIPE BEND 90° DN100	5720018
Elbow 45°	1 meter	FLUE PIPE BEND 45° DN100	5720019
Std protection cap against rain	2 meters	Not supplied	
1m rigid hose	1 meter	FLUE PIPE 1M DN100	5720017

WARNING: refer to the rules in force.

TYPE C

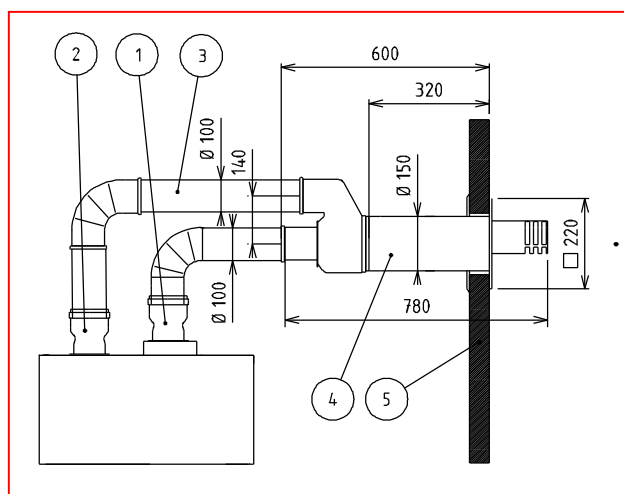
BALANCED FLUE SYSTEM, COMBUSTIVE AIR AND COMBUSTION PRODUCTS TAKEN/THROWN FROM/TO THE OUTSIDE



- It is mandatory to remove the grilles at the exhaust outlet and fresh air intake (0), then the air inlet diaphragm Ø43 and the exhaust gases diaphragm Ø65 before fixing the connection parts (1) and (2) component the **KIT TYPE C U35+** (Réf SBM : 5720079)

- Install the connection parts Ø100 (2) enabling so the installation of the pipes with sealing ring (approved with the unit) and a diaphragm Ø40 on the part (2).

Type C12 appliances



Balanced flue heater:

The maximum length of the pipes (supply and exhaust pipes) must not exceed:

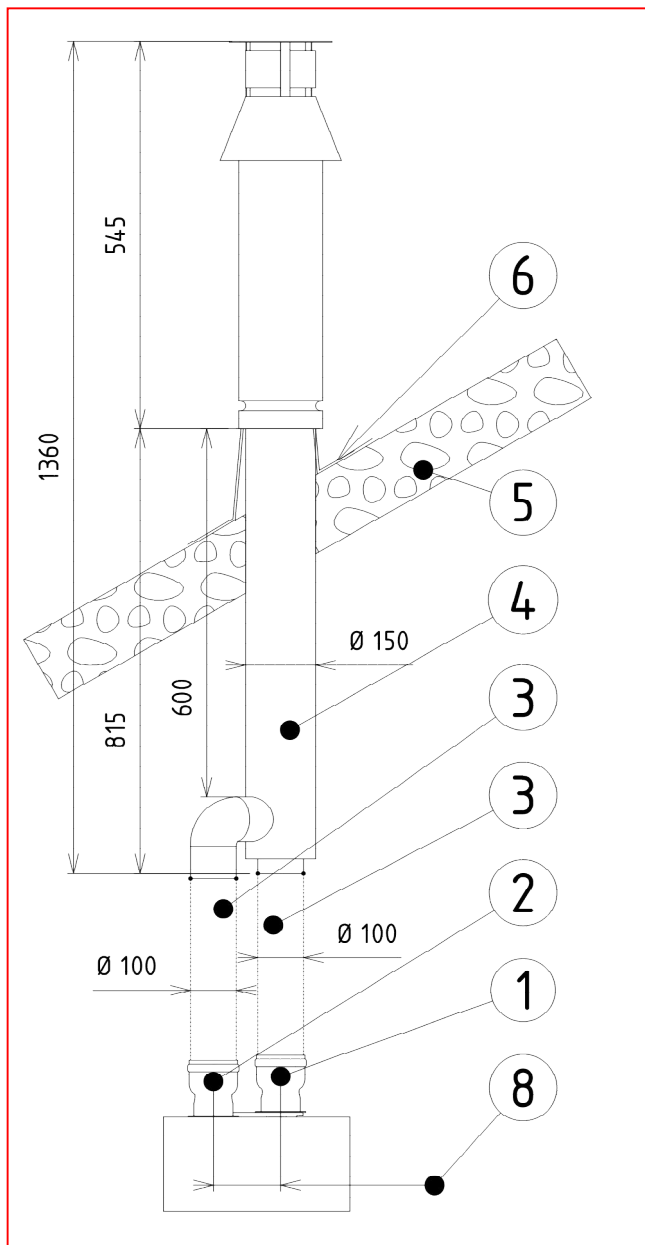
- Combustion products outlet: **8 meters of straight length.**
- Air inlet: **8 meters of straight length.**

(See also table of equivalent lengths p 15)

N°	Function	Designation	Ref. SBM
1	Combustion products outlet for insulated pipe Ø 100	KIT TYPE C U35plus	5720079
2	Combustive air inlet for insulated pipe Ø 100 with Ø46 diaphragm		
3	Piping Ø100	FLUE PIPE 1M D100	5720017
4	Wall balanced flue terminal Ø 150 for two insulated pipes Ø 100	WALL TERMINAL AM 100/150	5760031
5	Outside wall of the building		

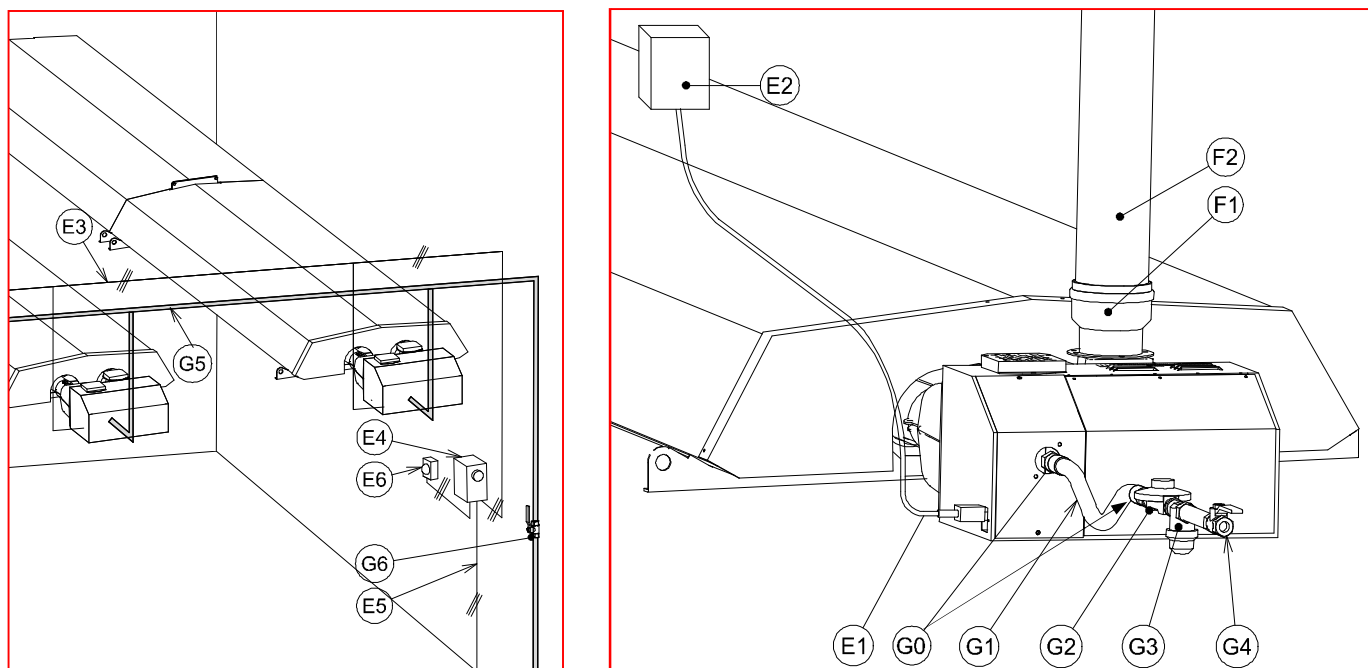
WARNING: refer to the rules in force.

Type C32 appliances



N°	Function	Designation	Ref. SBM
1	Combustion products outlet for insulated pipe Ø 100	KIT TYPE C U35plus	5720079
2	Combustive air inlet for insulated pipe Ø 100 with Ø46 diaphragm		
3	Piping Ø100	FLUE PIPE 1M D100	5720017
4	Roof terminal Ø 150 for sealed pipes Ø 100	ROOF TERMINAL AM 100/150	5760026
5	Roof (building)		
6	Sealing roof terminal	ADJUSTABLE FLASHING 100/160 FLAT ROOF FLASHING 100/160	5760029 5760027
8	Distance between centers 182 mm		

8 Installation and connections (Gas and electricity)



a/ Electrical connection

Mark	Designation
E1	Power cable (supplied with unit) L = 1,00m (3 x 0,75 mm ²)
E2	Junction box
E3	Power supply from the controller
E4	Controller (SBM accessory)
E5	Power supply 230V 50Hz phase neutral earth
E6	Space sensor (supplied with SBM controller)

In case of electrical installation without neutral (or bad quality of the neutral), plan an insulation transformer in order to create an artificial neutral (Ref. SBM: 5720032).

WARNING: In no case should the electrical cable be located on stay on the converter or on the functional block of the appliance.

b/ Flue system

F1	FLUE CONNECTION DN100 (Ref. SBM : 5720014) for type B connection or KIT TYPE C U35plus (Réf. SBM : 5720079) for type C connection
F2	FLUE PIPE 1M D100 (Ref. SBM : 5720017)

c/ Gas connection

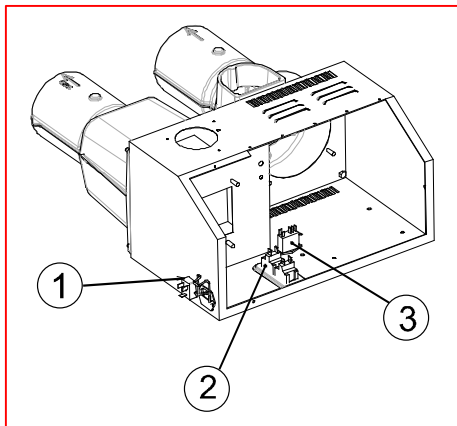
G0	GAS FITTING G1/2m G3/4f (Ref. SBM : 9805079) for G20, G30/31 and G31	
G1	METALLIC HOSE G1/2F 700mm (Ref. SBM : 9805013) for G20, G30/31 and G31	
G2	Gas regulator	VFD G20 E300 S20 5M3/H (Ref. SBM : 5730002) for G20 VFD G31 E1.5B S37MB 4KG/H (Ref. SBM : 5730000) for G31
G3	Gas filter	
G4	Gas valve ¼ turn	
G5	Gas pipe	
G6	Main gas valve	

d/ " Failure signal transmission " option

This option (Ref. SBM: 5720031) allows the transmission of the failure signal (on each individual unit or per group of units) to a control panel or the BMS system. To ensure safe working, the transmission of the failure signal happens by means of a dry contact controlled by a relay incorporated inside the unit (3).

In order to avoid undesirable shutdown at each ignition attempt, it is recommended to delay the failure signal of the control panel or BMS by 30 seconds.

The unit is delivered in standard version with a closed contact, if you want open one, you may ask us at the order.

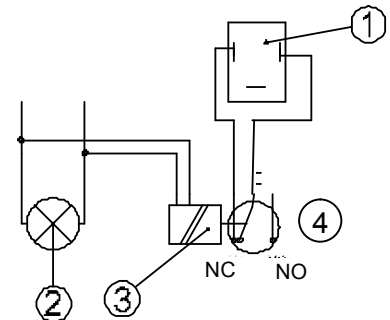


(1) Lockout relay plug

(2) Red light default

(3) Lockout relay

(4) Dry contact



9 Temperature regulation

SBM recommends the regulation of radiant tubes with a control module type **VisioLon Ind-I** (3 temperatures thermostat + clock) or **EasyLon** (simple thermostat).

Each control module **VisioLon Ind-I** can drive **2 zones of 7 radiant tubes each**. For a bigger quantity, provide a relay per zone, whose coil is powered by the VisioLon outputs (zone A : S1 and N terminals, zone B : NO and N terminals).

Each **EasyLon** controller can manage **1 zone of 7 tubes**. For a bigger quantity, provide a relay per zone, whose coil is powered by the EasyLon outputs (14 and 18 terminals).

SBM can provide a **KIT COFFRET CONTROLE 2 ZONES** (ref : 9704014), including:

- A waterproof box IP65 12 modules
- A residential current device 16A - 30mA

This kit allows the installation of the controller to manage up to **7 tubes** per zone.

SBM can provide a **KIT COFFRET CONTR.REL. 2 ZONES** (ref : 9704015), including:

- A waterproof box IP65 12 modules
- A residential current device 16A - 30mA
- 2 relays 230VAC 10A

This kit allows the installation of the controller to manage up to **18 tubes** per zone.

We advise to respect the instructions concerning the material and particularly:

- To position the sensor at about 1.5m from the ground between two appliances so that it receives a homogeneous radiation,
- To insulate the sensor from the wall on which it can be found in order to avoid the cold radiation of the wall through the interposition of an insulating material (glass wool, wood, etc.),
- The connection between sensor and regulator must be made out of armored cable or phone cable, 2 pairs.
- In any case, do not put these wires in the cable path which already contains many wires carrying energy

Designation	Ref SBM
ROLL SENSOR CABLE 20M/66FT	8791000
ROLL SENSOR CABLE 60M/197FT	8791001
ROLL SENSOR CABLE 300M/984FT	8791002

10 Programming

The **VISIOLON Ind-I** shall be set so as to activate the start up about 30 minutes before the premises are occupied. The time lapse should be modified according to the inertia of the building and to the external temperature.

In the case of a very low external temperature, it is advised not to stop the heating during periods of inoccupation, but instead to simply reduce the temperature.

It is advised not to stop the heating during short interruptions in the use of premises.

11 Setting up

- After resistance test for mechanical seals and cleaning of gas line:
- Clean the gas network.
- Check that electrical supply is correct.
- Check presence and correct state of the flue installation.

FUNCTIONNING CYCLE:

Appliances are regulated in factory and do not need any additional adjustment on site.

- As soon as the electrical supply is turned on, beginning of the pre-purge sequence of about 15 seconds (yellow control lamps light).
- Control of the negative pressure in the tube through differential pressure switch.
- When the negative pressure is sufficient, the ignition spark starts and the electromagnetic gas valve opens.
- When the sensor detects the flame, the ignition spark stops and the appliance functions as long as it is supplied in gas and in electricity.
- . If for whatever reason the flame is no longer detected, the electro valve closes and the unit goes to lockout.
- Then the appliance attempts another ignition and a second working cycle starts.
- After 3 attempts of ignition, the unit goes to lockout.
- In the event of the 3 ignition attempts without success, the unit again goes to lockout. The ignition sequence can only start again if the electric supply is cut and reconnected some seconds later.
- . While operating, only the yellow control light stays on.
- In case of technical problem, refer to paragraph 14 « Faults - possible causes ».

12 Maintenance

We recommend checking the appliance and the installation at least every year.

The checking must be made by skilled personal. A maintenance contract is advised.

WARNING: refer to the rules in force.

**WARNING: INSULATE GAS AND ELECTRICITY BEFORE ANY MAINTENANCE WORKS.
Check that access conditions and minimum distances are respected.**

List of necessary tools:

Brush, duster, paint brush, flue brush, vacuum cleaner, small case of electromechanical tools.

MAINTENANCE INSTRUCTIONS:

1) Emitter tubes:

Clean up the external tubes with a metallic brush – remove the burner block to inspect the inner side. In case of a considerable dust deposit the tubes should be cleaned inside. Use hereto a bottlebrush with appropriate diameter or a dust aspirator.

2) Reflector:

Inspect inner side of reflector and if necessary clean with soft cloth and soap water. If necessary use soft metal wax.

3) Converter:

Clean by means of a brush.

Check if grooves are free of dirt and maintain a matt black tint ensuring good emission.

4) Extraction Turbine:

Check that it turns freely and remove with a brush any accumulation of deposits that may exist on blades. Also remove dust from the fan volute.

5) Motor and cooling fan of motor axis:

Remove dust with compressed air (careful with the turbine over speed) and clean the aeration ears.

6) Ignition and security box:

Remove the electrical plate and remove dust if necessary.

Check that the control contact of negative pressure occurs correctly.

7) Gas tray set and mono-electrode:

- Disconnect the electric wires of the electro valve.

- Take out the gas tray set by taking out the assembly screws on the face.

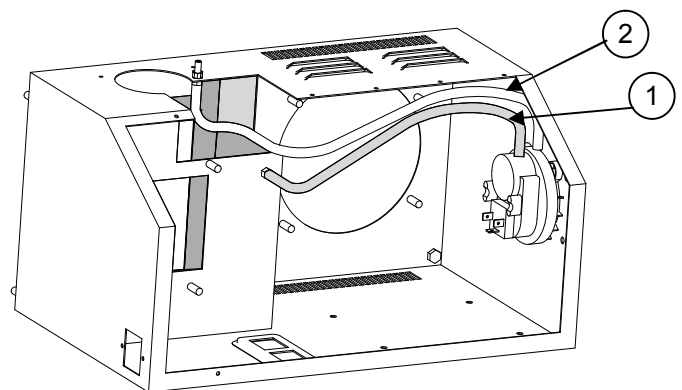
- Clean the injector, the burner and the burner head which must not be sooted up.

- Clean the electro valve and regulator filters and the cartridge filter.

- Remove the electrode mounting panel. Disconnect the electric wires, inspect the electrode brush it and change it if necessary. Control the gap which must be 4 mm

8) Connection of pressure switch:

N°	Designation
1	Burner depression plug (green pipe)
2	Pressure plug on the air inlet



9) Evacuation duct:

Check and clean the exhaust gases ducts according to the rules in force.

REPLACEMENT OF PARTS:

Mono-electrode:

Dismantle the electrode carrier by unscrewing fixation screws. Change the set if necessary. The gap between the electrode and the earth electrode must be 4 mm.

Burner and injector:

Dismantle the electrode carrier. Unscrew the burner, unscrew the injector and change them if necessary. When the injector is dismantled, the joint must be replaced.

Ignition and security box

To take it out, unscrew the screw on the cover, unplug the connector and the HT ignition connector.

Pressure switch

Open the superior bonnet, disconnect and identify the cable terminals and take out the pressure switch from its support.

Fan Motor Group

Loosen the 4 nuts to easily remove the fan motor group. To unfix the turbines, loosen the six-sided nut by means of an Allen key on the flat surface of the motor axle.

13 Gas change

- The gas conversion must be done by qualified technicians.
- When converting to another gas type, only the injector (5) must be changed.
- We refer to the table at page 5 showing the injector diameters to be respected.
- This table also indicates the inlet pressure and the pressure by injector that must be respected

Note: A conversion kit is available on demand (consult our price list for components). The kit comprises: injector, seal and gas label (must be adhered on the old label).

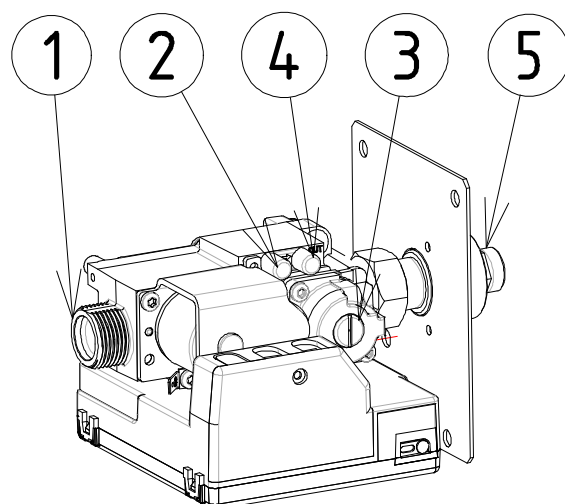
Gas-Pressure	Injector	Designation	Ref SBM
G20-20	530	KIT I G20-20 U35/L35/U35+/L35+	5820056
G31-37	310	KIT I G31-37 U35/L35/U35+/L35+	5820066
G30/31-30	310	KIT I G30/31-30 U35L35U35+L35+	5820072

Successive operations to be done :

- Check inlet pressure of working unit by means of a manometer connected to the pressure connection (2) (See also table at page 5).
- Check the injector pressure at gas pressure connection (4).
- Adjust pressure at the injector by using the adjustment screw. (3) (See table on page 5).
- Stick the appropriate gas label

NOTE: For the 3rd family gases 3+ PROPANE or BUTANE the regulator is blocked (3) (completely screwed in).

Mark	Designation
1	Gas valve inlet
2	Supply pressure intake (unblocked the screw in order to measure the pressure)
3	Pressure regulator (remove the brass plug terminal in order to access to the regulator screw)
4	Injector pressure intake (unblocked the screw in order to measure the pressure)
5	Brass injector (carved in mmx100)



14 Faults – Possible causes - Solutions

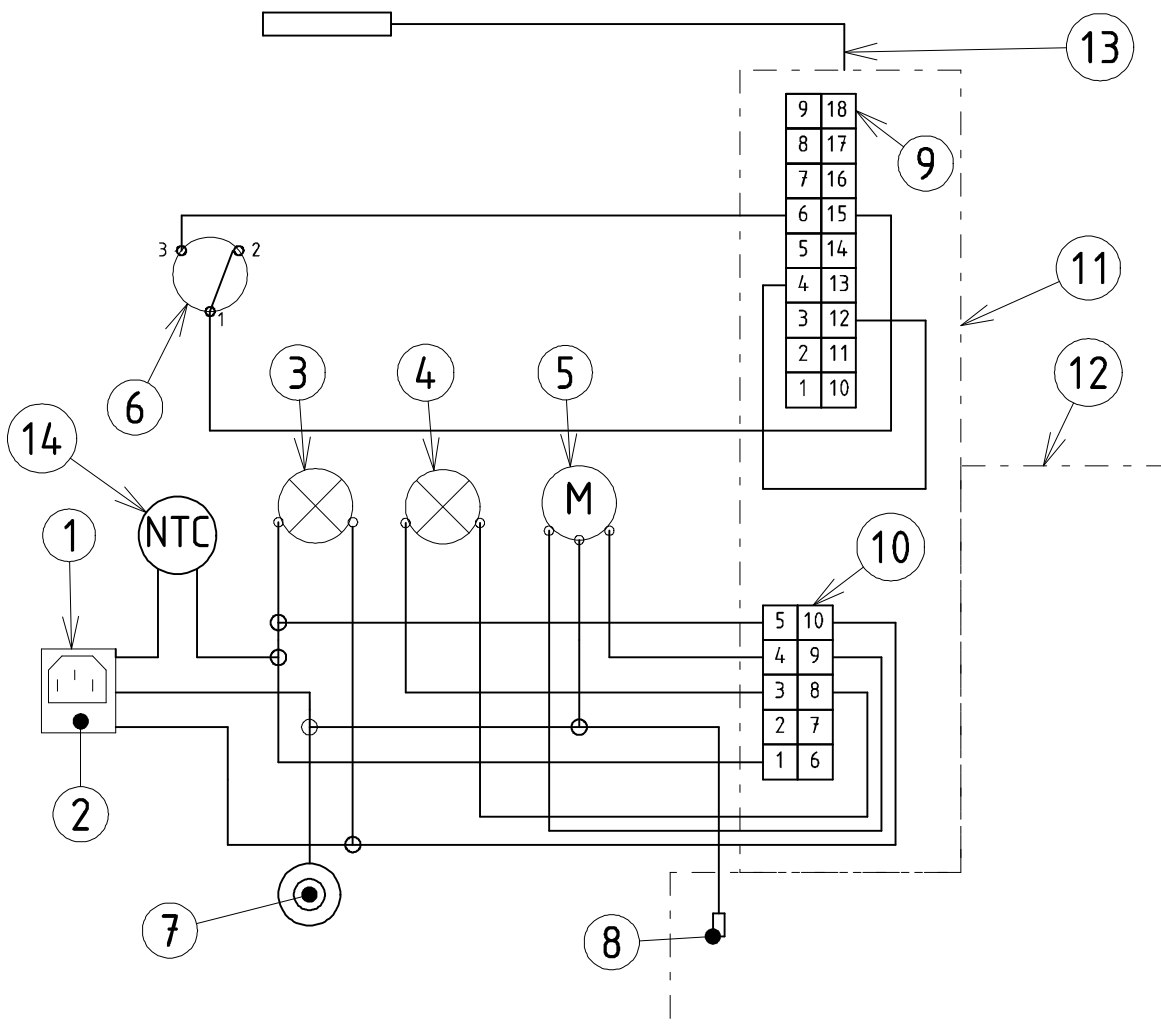
Before any replacement of components internal to the appliances, be sure that :

- 1) The electrical supply of appliances is correct.
- 2) The gas is correctly supplied until the gas inlet of one or several appliances. (gas filter cleaned).

FAULTS	POSSIBLE CAUSES	SOLUTIONS
The motor does not run	Impeller jammed Motor seized up or failed burnt fuse	Clean the fan casing Unseized and/or change change the fuse
The motor turns but the appliance does not ignite	Clogged chimney Faulty motor Folded or disconnected pressure switch pipes Faulty ignition box Dirty impeller	Check - Clear To be cleaned or changed Replace them correctly To be changed To be cleaned (compressed air)
The pressure switch works correctly but there are no sparks	Cracked electrode Too big gap for ignition electrode Faulty control box	To be changed To be adjusted (3 mm ± 1 mm) To be changed
Sparks occur but the burner ignition does not occur.	Faulty electro valve Ignition and security box Electrode out of position Default of gas supply	To be changed To be changed To be repositioned Clean filter and pipes
Ignition occurs but the appliance stops afterwards	Faulty flame control Faulty ignition box	Check the ionization sensor and electrical connections To be changed
Abnormal noise. Ignition problems	Disordered burner. Friction of turbines Motor bearing defect Coupling of emitter tubes	Check regulating. to be adjusted Change motor Correct and verify

15 Electrical diagram

N°	Designation
1	Supply plug 230V
2	Fuse
3	Yellow lamp « Operating »
4	Red lamp « Defect »
5	Motor supply
6	Pressure Switch
7	Earth of carter box
8	Earth of valve
9	24V connector
10	230V connector
11	Safety and ignition box
12	Electro valve
13	Ignition and ionization electrode
14	NTC Wiring

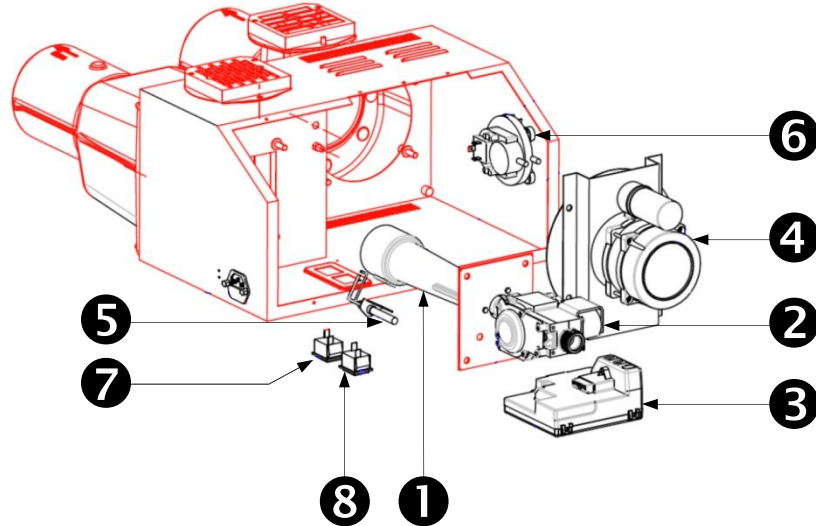


16 Options on request

Designation	Ref. SBM
PROTECTIVE GRILLE U35plus	5720043
REPORT DEF. HYPERTUBE (NC contact) Specify while ordering if NO contact	5720031
INDIVIDUAL INSUL. TRANSFO. U/L	5720032

17 Spare parts

U35plus



<p>1</p> <p>VENTURI BURNER F9</p>  <p>5820000</p>	<p>2</p> <p>SOLENOID VALVE U+</p>  <p>5820044</p>	<p>3</p> <p>CONTROL BOX U+</p>  <p>5820052</p>
<p>4</p> <p>EXTRACTOR U25+/U35+/U45+</p>  <p>5820039</p>	<p>5</p> <p>IGNITER+CABLE HYPERTUBE</p>  <p>5820027</p>	<p>6</p> <p>PRESSURE SWITCH L45/U35+/L45+</p>  <p>5820049</p>
<p>7</p> <p>YELLOW LIGHT HYPERTUBES</p>  <p>5820053</p>	<p>8</p> <p>RED LIGHT HYPERTUBES</p>  <p>5820054</p>	<p>9</p> <p>KIT I</p>  <p>G20-20 : 5820056 (Injector 530/100) G31-37 : 5820066 (Injector 310/100) G30/31-30 : 5820072 (Injector 310/100)</p>